

Specification sheet LX 1271

Roof drainage systems LORO-DRAINJET® Mini DN 50 80 mm weir height for box gutter from 150 mm

Emergency drainage

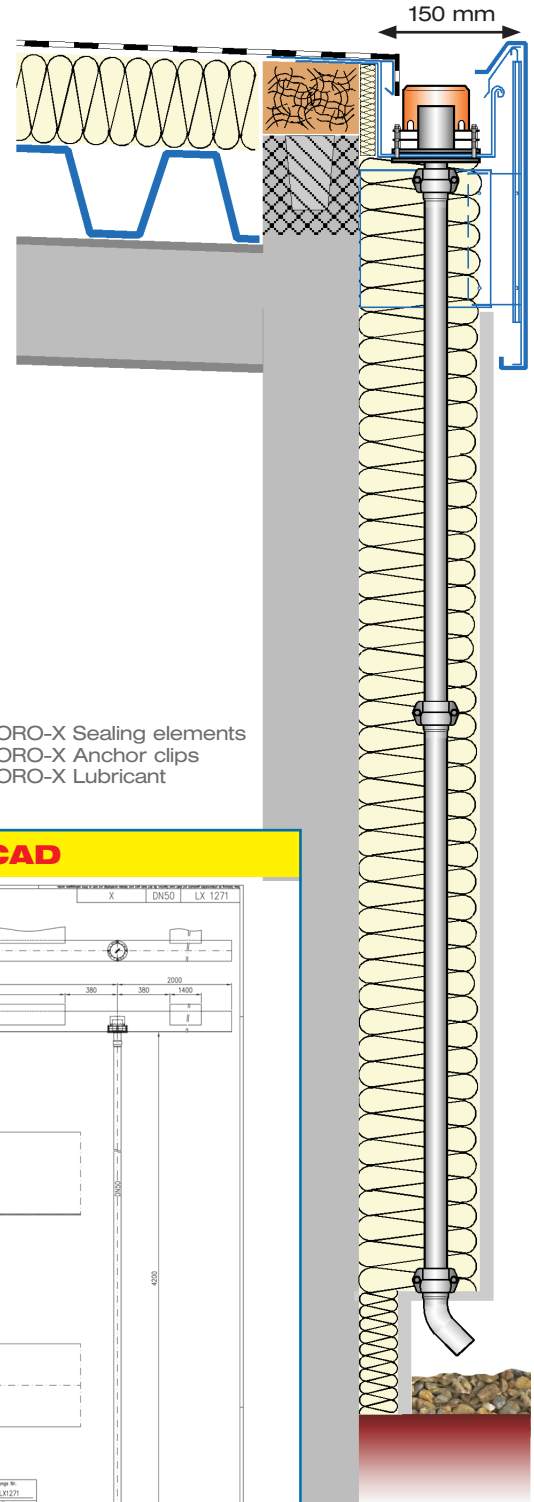
Siphonic flow

Power

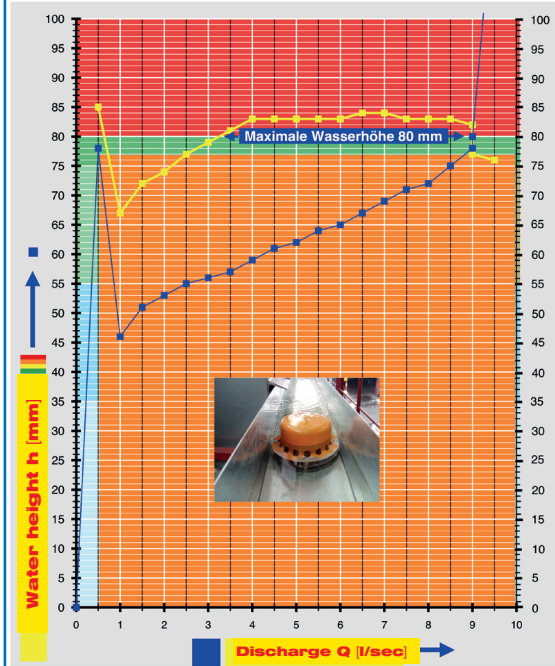
Discharge rate:	9,0 l/sec
Water height:	80 mm
Roof penetration:	-
Diameter:	DN 50
LX-Number:	LX 1271
Weir height:	80 mm
Drain:	not ventilated
Downpipe:	not ventilated
Downpipe height:	4,2 m
Drainage:	on floor
Flangeform:	clamping flange

LX 1271 Piece list

- | | |
|--|--|
| 1 x Art.-No. 21120.050X, DRAINJET® Mini DN 50 | 1 x Art.-No. 00911.050X, LORO-X Sealing elements |
| 1 x Art.-No. 01011.050X, LORO-X Pipe with one socket | 1 x Art.-No. 00806.050X, LORO-X Anchor clips |
| 1 x Art.-No. 00320.050X, LORO-X Bend | 1 x Art.-No. 00986.000X, LORO-X Lubricant |

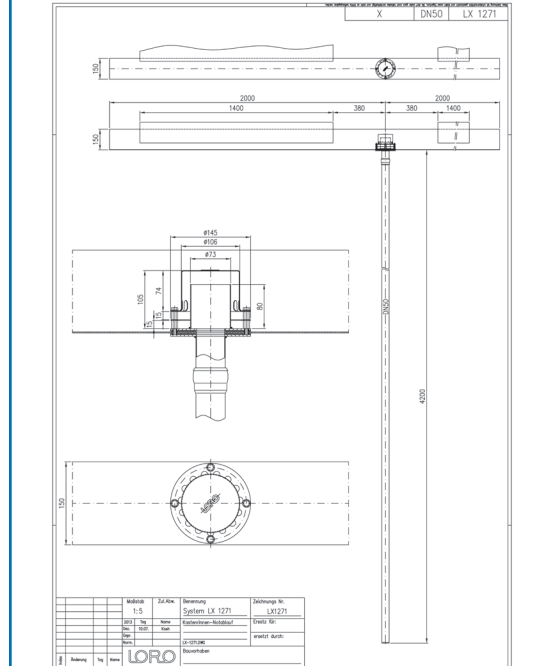


hQ - Head-Discharge curve



Systempower

CAD



Systemshape

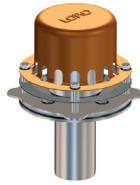
Water height	mm	25	30	35	40	45	50	55	60	65	70	75	77	80	85	90
Discharge	l/sec	-	-	-	-	-	-	-	-	-	-	-	-	9,0	9,0	9,0
Power																

LORO-DRAINJET® Mini-Emergency drain, DN 50

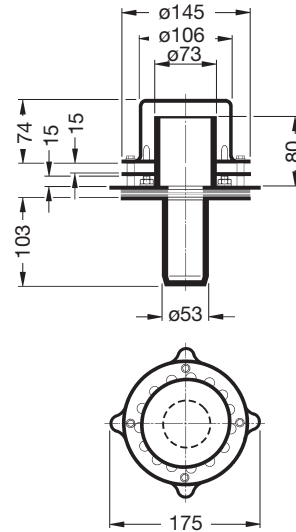
LORO-X DRAINJET® Mini

with clamping flange with
weir height 80 mm,
for Box gutter

Drain: Art.-No. 21120.050X



LX1271-5X



LORO-X Bend 45°,
made of hot-dip galvanised steel, DN 50
Art.-No. 00320.050X
Weight: 0,4 kg



LORO-X Pipe with one socket
made of hot-dip galvanised steel, DN 50
4000 mm long Art.-No. 01011.050X
Weight: 8,6 kg



LORO-X Anchor clip,
made of hot-dip galvanised steel, DN 50
Art.-No. 00806.050X
Weight: 0,3 kg



LORO-X Sealing element
Art.-No. 00911.050X
Weight: 0,6 kg

